

TEAC

SERVICE MANUAL

CT-M486 MK II

20" CTV

Effective: JANUARY, 1995.

CTM486MKIICT8820

SPECIFICATION

SYSTEM	:	PAL-B/G	
DESTINATION	:		
CHANNEL	VHF LOW	:	0 - 5 CH
COVERAGE	VHF HIGH	:	5A - 11 CH
	UHF	:	21 - 65 CH
FREQUENCY	VHF LOW	:	46.25 - 102.25 MHz
RANGE	VHF HIGH	:	138.25 - 216.25 MHz
	UHF	:	471.25 - 823.25 MHz
SCANNING	LINES	:	625 LINES
	HORIZONTAL	:	15625 Hz
	VERTICAL	:	50 Hz
IF FREQUENCY	VIDEO	:	38.9 MHz
	SOUND	:	33.4 MHz
	CHROMA	:	37.13 MHz
VISION/SOUND SEPARATION	:	5.5	MHz
SENSITIVITY	VHF LOW	:	32 uV
	UHF HIGH	:	56 uV
	UHF	:	80 uV
OUTPUT POWER MAXIMUM	:	2000	mW
	10% THD	:	1800 mW
CRT	:	20" DIAGONAL, 90 DEGREE DEFLECTION ANGLE	
SPEAKER	:	4" 8 OHM 3w x2	
ANTENNA IMPEDANCE	:	75	OHM
POWER CONSUMPTION	:	60	WATTS

VIF ALIGNMENT

A. Preparation Step (See Fig. 1)

- (i) Connect AGC bias voltage to TP101, the DC supply should be turned off this time.
- (ii) Connect 14V B+ bias voltage to D404 (-) and Ground.
- (iii) Connect sweep generator to tuner test point and Ground.
- (iv) Connect waveform detector to TP105 and Ground.

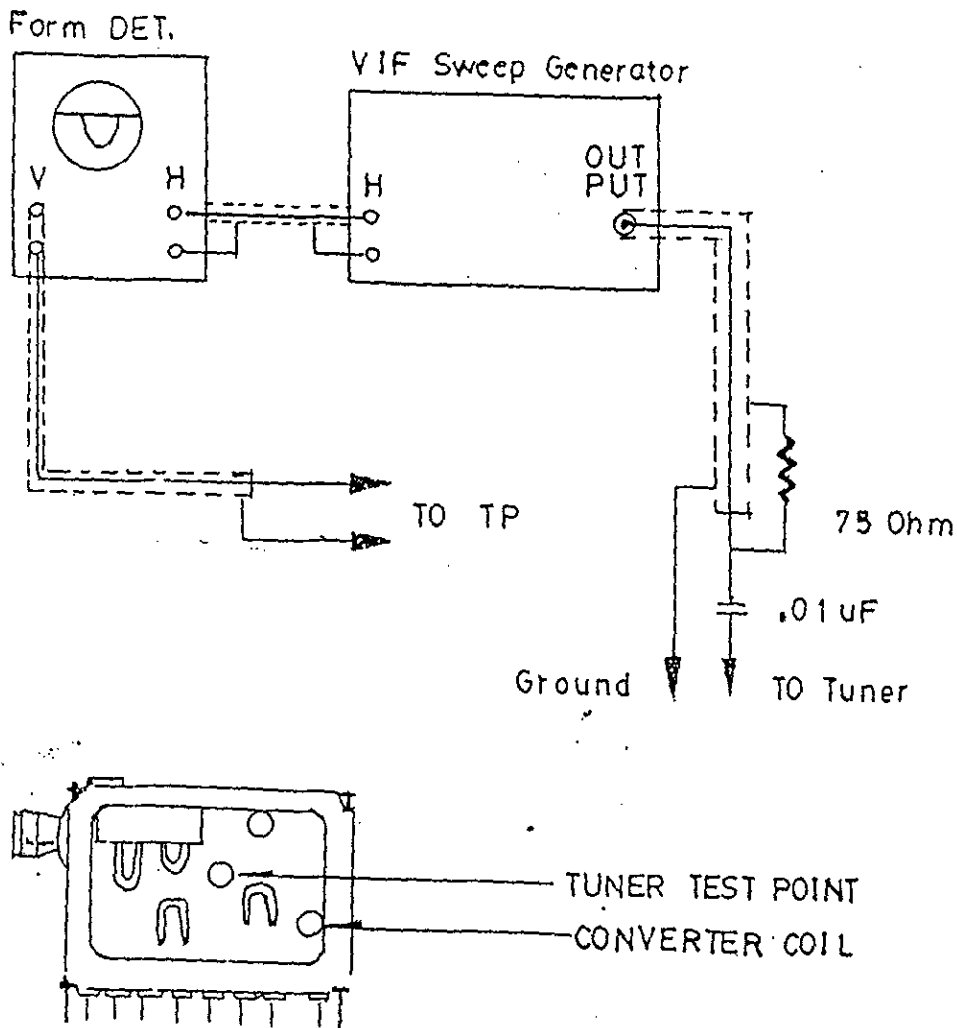


Fig.1

B. Tank Coil Alignment Step (See Fig. 2)

- (i) Calibrate the Division of waveform Detector equal to 100mv per div.
- (ii) The output of sweep generator should be 50dB.
- (iii) Connect TP001 to Ground.
- (iv) Adjust AGC bias until the output waveform equal to 4V p.p.

(10 div.)

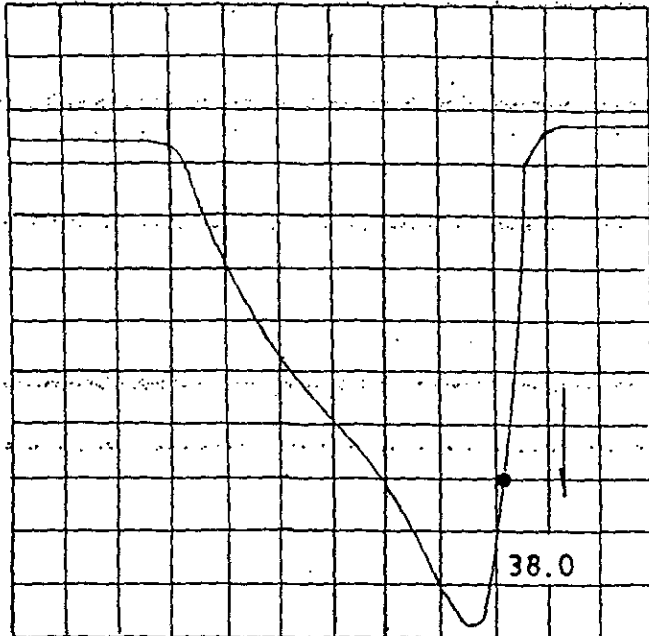


Fig . 2

- (v) Turn T101 until the marker 38.0 MHz falls to the lowest point as Fig. 2.

C. VIF ALIGNMENT

- (i) Connect 100 ohm resistor between TP103 and TP104.
- (ii) Adjust T104 until obtain the maximum waveform amplitude. (If provided)
- (iii) Adjust AGC bias, and maintain the waveform achieve 1V pp.
- (iv) Adjust tuner convertor coil, and obtain the waveform as Fig. 3.

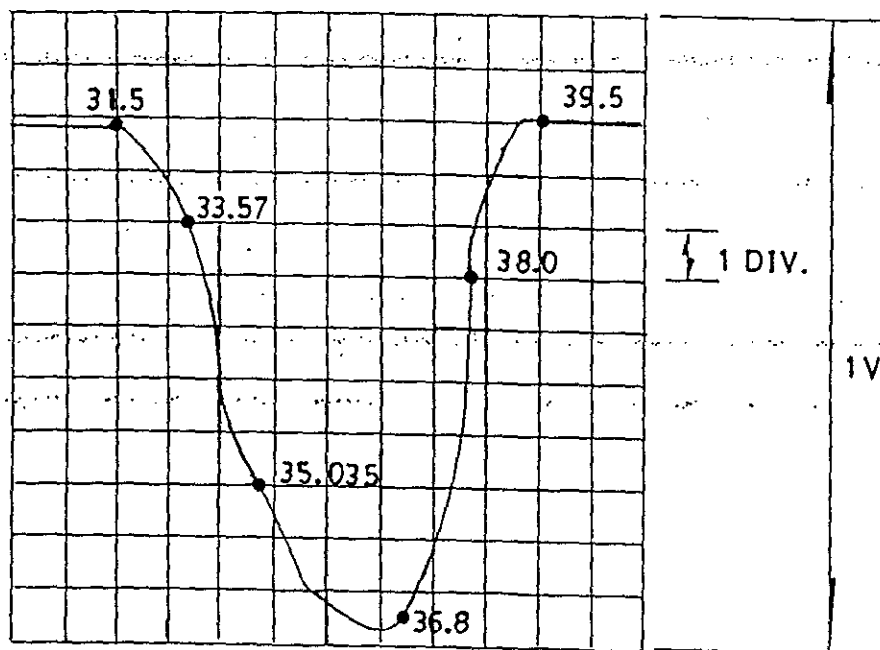


Fig. 3

D. AFC Alignment

- (i) Remove the 100 ohm resistor from TP103 and TP104.
- (ii) Connect the waveform detector to TP102. The output of sweep generator should be -40dB.
- (iii) Adjust AGC bias to 5V.
- (iv) Adjust T103 to obtain waveform as Fig. 4.

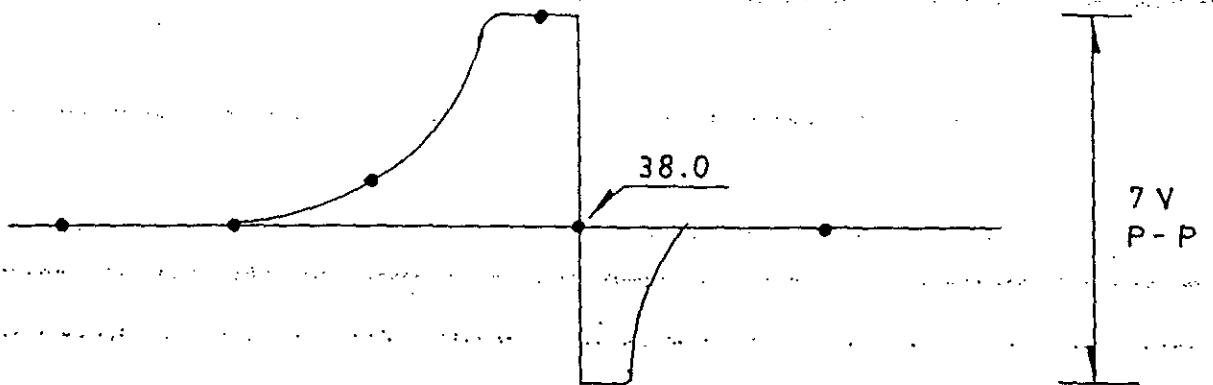
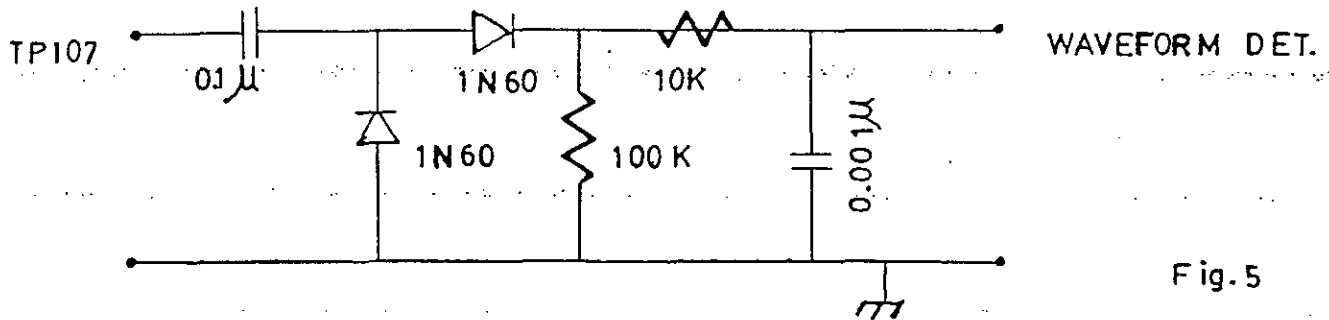


Fig.4

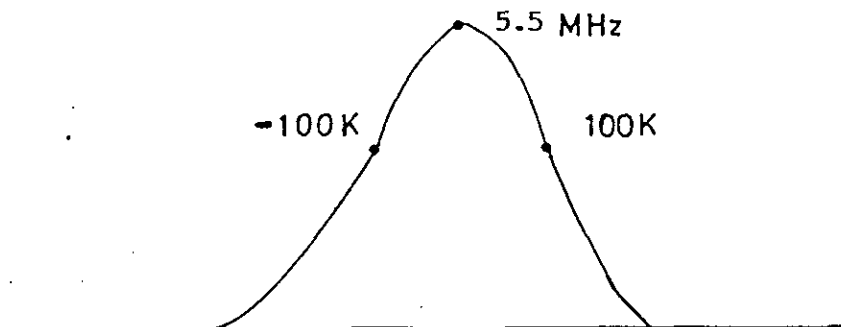
SIF Alignment

MIXER Alignment

- (i) Connect the sound IF sweep generator to TP 105.
- (ii) Connect the circuit as Fig.5 to TP107 and waveform detector.



- (iii) Adjust the sweep generator output to obtain a maximum amplitude:
- (iv) Adjust T221 to obtain the waveform as Fig.6.



E. SIF Alignment

- (i) Connect the sweep generator to TP105.
- (ii) Connect waveform detect to TP106.
- (iii) The output of sweep generator should be -50dB.
- (iv) Adjust T105 to obtain the waveform as Fig.7.

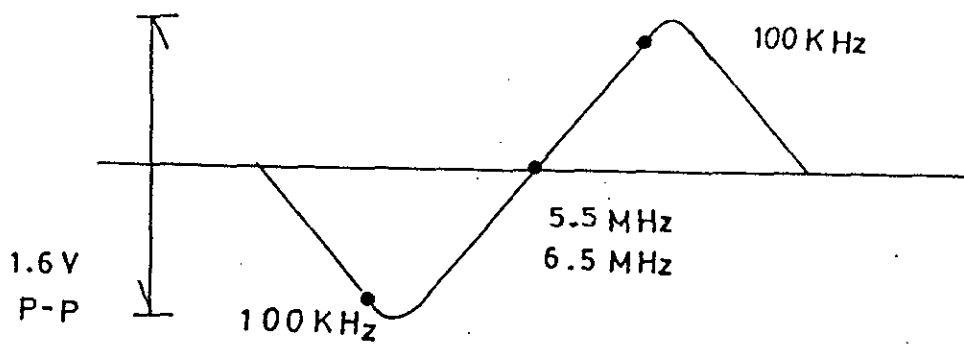


Fig.7

B+ ADJUSTMENT

- 1) Connect a digital volt meter to TPB+ and ground.
- 2) Set Brightness, contrast and colour to maximum.
- 3) Adjust VR901 and obtain a reading of 112V.

HORIZONTAL CIRCUIT ADJUSTMENT

- 1) Receive Monoscope Pattern input signal 80dBuV.
- 2) Connect terminal TP305 and the earth with the short Jumper wire.
- 3) Adjust VR304 to obtain the picture running at center.
- 4) Adjust VR303 to obtain the picture at center.

VERTICAL CIRCUIT ADJUSTMENT

- 1) Receive the Monoscope Pattern.
- 2) Adjust V-size (VR301) to obtain a normal picture.

WHITE BALANCE ALIGNMENT STEP

(deguss the picture by deguassing coil if necessary)

- 1) Turn the brightness, contrast and picture control to minimum value.
- 2) Turn VR501,503,505 to middle position. Turn VR502,504 to minimum position.
- 3) Turn VR306 to middle position.
- 4) Receive a black and white pattern.
- 5) Set S301 to service position.
- 6) Turn off the screen voltage.
- 7) Turn on the screen control volume on flyback transformer, & a horizontal red line appears.
- 8) Adjust VR502 to obtain a yellow line.
- 9) Adjust VR504 to obtain a white line.
- 10) Set S301 to normal position.
- 11) Adjust VR503, 505 to make the picture uniformly white.(9300°K)

SUB-BRIGHTNESS ALIGNMENT

- 1) Receive a colour bar pattern.
- 2) Turn the brightness, contrast and colour to minimum.
- 3) Adjust VR306 until the brightest bar can just be seen.

FOCUS ALIGNMENT

- 1) Set the brightness and contrast to middle position.
- 2) Receive a monoscope pattern.
- 3) Adjust focus control to obtain sharpest picture.

AGC ALIGNMENT

- 1) Receive CH69 (UHF) and input field strength in 63dB ±3dB input.
- 2) Adjust VR101 to the point where noise is disappeared.

PAL COLOUR ALIGNMENT

- (1) Receive Philips Pattern.
- (2) Connect Oscilloscope to TP303
- (3) Set the service switch (S301) to service position.
- (4) Set color control to maximum position.
- (5) Adjust T301, 302 and VR305 to obtain the waveform as Fig.6.

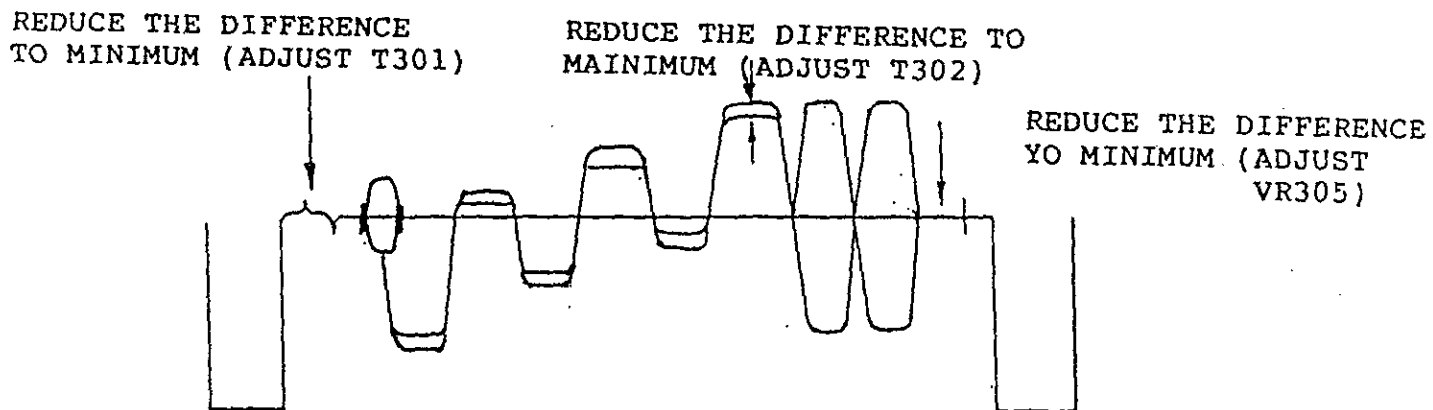


Fig.6

COLOR SYNC. ADJUSTMENT

- (1) Receive Philips pattern and warm up for five minutes.
- (2) Connect terminal TP302 and the earth with the short Jumper wire.
- (3) Connect the TP306 and TP301 with 10K OHM resistor so that the color killer turns off.
- (4) Then the color stripes appear on the screen when the adjustment is inconnect. Adjust the color sync (CT301) so that the PHILIPS pattern stands still.
- (5) Remove the 10K ohm resistor and jumper wire.

SECAM COLOUR ALIGNMENT

A. Bell filter alignment

- (i) Receive secam color bar pattern.
- (ii) Connect oscilloscope to TP804.
- (iii) Turn T804 to obtain waveform as Fig.7.

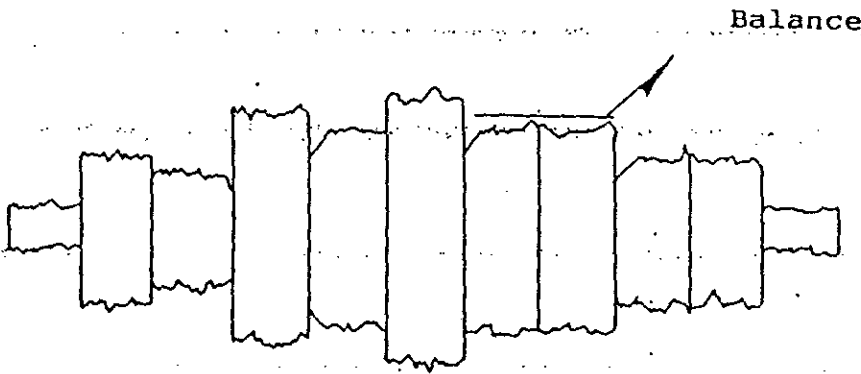


Fig.7

C. Secam Colour Killer Alignment

- (i) Receive secam colour Bar signal.
- (ii) Connect a DC digital meter to IC801 pin 26.
- (iii) Tune T803 to obtain a maximum voltage.

B. Discriminator alignment

- (1) Receive secam colour Bar signal.
- (2) Connect the osillascop to TP803.
- (3) Turn T801 to obtain the Fig.8.

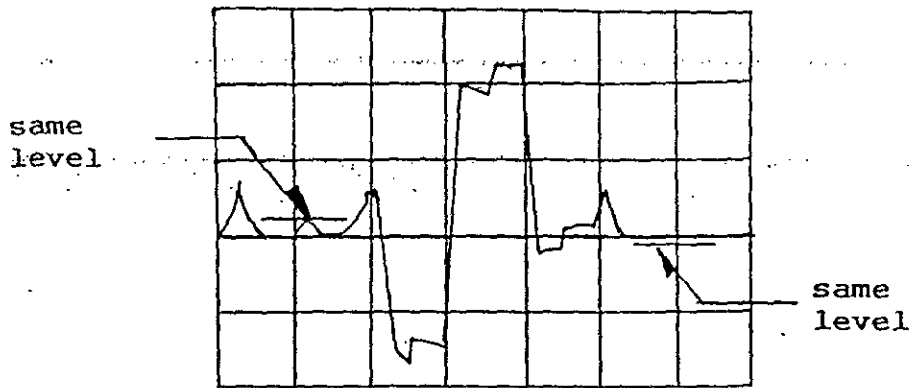


Fig.8

- (4) Connet the osillascop to TP802..
- (5) Turn T802 to obtain Fig.9.

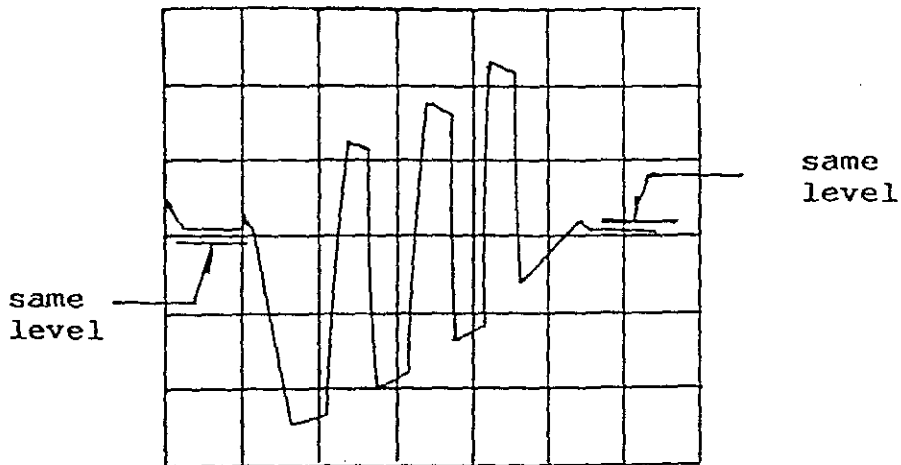


Fig.9

VOLTAGE TABLE FOR IC

SYMBOL PIN NO.	IC201	IC202	IC401	IC701	IC801	
	(V)	(V)	(V)	(V)	PAL	SECAM
1	8	9.5	GEN	GEN	2.9	2.9
2	15.9	4.6	13.2	GEN	5.9	6
3	15.3	4.5	24.2	3	GEN	GEN
4	0.3	GEN	0.9	0	0	2.8
5	0.4	3.9	0.7	3	5.9	5.8
6	3.3	9.5	23.7	0	5.1	4
7	3.2	7.2	1.7	3	2.5	2.5
8	3.2			3	8.1	8.2
9	GEN			3	11.8	11.8
10	GEN			3	5.1	4.3
11	GEN			NC	2.5	2.5
12	GEN			0	6	8
13	GEN			0	11.8	11.8
14	GEN			0	2.8	2.8
15	GEN			0	2.8	2.8
16	GEN			0	2.8	2.8
17				0	2.8	2.8
18				0	7.1	7.1
19				0	3.8	3.8
20				3	7.1	7.1
21					3.8	3.8
22					7.1	7.1
23					3.8	3.8
24					GEN	GEN
25					2.9	2.9
26					0.7	9.8
27					1.3	5.9
28					4.9	5.9
29					4.2	5.3
30					0.3	0.3

NOTE : VOLTAGE ARE TAKEN UNDER TUNED CONDITION WITH

CONTRAST : Maximum Position
 BRIGHTNESS : Maximum Position
 COLOR : Maximum Position
 SIGNAL INPUT : 80 dBuV
 CHANNEL SETTING : The Last Channel of UHF High
 SIGNAL PATTERN : Colour Bar

REMARK : IC202 FOR D/K USED.

GT-571/94

Print Date : 26/11/94

Page Number : 1

<< B.O.M. PRICE LIST FOR CUSTOMER >> - CURRENCY (USD)

PRODUCT CODE : 882074-400003-GT

DESCRIPTION : 8820/CT-M486MKII TEAC PAL/BG W/AV IN MATT BLACK 240V SAA

ASSEMBLY NUMBER	DESCRIPTION
155-000100-01-00	COMMON PART FOR HANDSET ASS'Y
155-000100-01-06	NON-COM PART FOR HANDSET ASS'Y (30 PRG)
158-882074-40-00	COMMON PART FOR CHASSIS ASS'Y (BG)
158-882074-40-02	COM PART CHASSIS ASS'Y NEW ZEALAND TUNER
159-882074-40-00	COMMON PART FOR CASING ASS'Y (BG)
159-882074-40-04	NON-COMMON PART FOR CASING ASS'Y (M.BLK)
163-882074-40-04	NON-COMMON PART FOR PACKING ASS'Y (BG)

** THIS SPARE LIST IS MADE FOR TECHNICAL / MAINTENANCE REFERENCE ONLY **

** THIS SPARE LIST IS MADE FOR TECHNICAL / MAINTENANCE REFERENCE ONLY **

Print Date : 26/11/94

PRODUCT CODE : 882074-400003-GT

Page Number : 2

DESCRIPTION : 8820/CT-M486MKII TEAC PAL/BG W/AV IN MATT BLACK 240V SAA

Component Part	Description / Location	Unit	Subs	Quantity Required	Unit Price	Amount
*** ASSEMBLY : 155-000100-01-00 COMMON PART FOR HANDSET ASS'Y						
107-800455-46	455K HZ RESONATOR CSB455EB MURATA CF701	PC	0	1.00000	.1980	.1980
113-109005-17	CARBON FILM RESISTOR 1 OHM 1/16W +-5% R704	PC	0	1.00000	.0044	.0044
113-223005-17	CARBON FILM RESISTOR 22K OHM 1/16W +-5% R703	PC	0	1.00000	.0044	.0044
113-332005-17	CARBON FILM RESISTOR 3.3K OHM 1/16W +-5% R701	PC	0	1.00000	.0044	.0044
113-470005-17	CARBON FILM RESISTOR 47 OHM 1/16W +-5% R702	PC	0	1.00000	.0044	.0044
123-101350-50	CERAMIC CAP. 100 PF 50V +-10% (SL TYPE) C701,702,703	PC	0	3.00000	.0098	.0294
127-106042-03	ELECT. CAP. 10 MFD 16V +-20% C704	PC	0	1.00000	.0240	.0240
130-134148-01	SILICON DIODE IN4148 D701,702,703,704,705,706,707	PC	0	7.00000	.0092	.0646
130-600101-00	INFRARED EMITTER EL-1L1 KODENSHI LED 701	PC	0	1.00000	.1340	.1340
131-230945-00	TRANSISTOR 2SC945 NEC Q701	PC	0	1.00000	.0417	.0417
131-232001-00	TRANSISTOR 2SC2001L NEC Q702	PC	0	1.00000	.0491	.0491
133-350560-12	IC M50560 MITSUBISHI IC701	PC	0	1.00000	.9824	.9824
172-826006-42	UL 1007 TOP COAT WIRE AWG 26 60MM RED 10 X 10 MM FROM REMOTE PCB '+' TO BATTERY CONTACT PLATE '+'	PC	0	1.00000	.0017	.0017
172-826008-40	UL 1007 TOP COAT WIRE AWG 26 80MM BLACK 10 X 10 MM FROM REMOTE PCB '-' TO BATTERY CONTACT PLATE '-'	PC	0	1.00000	.0022	.0022
190-921303-00	REMOTE P.C.B. (120592)	PC	0	1.00000	.2615	.2615
773-921301-00	BATTERY CONTACT PLATE (+)		0	1.00000	.0173	.0173
773-921302-00	BATTERY CONTACT PLATE (-)		0	1.00000	.0192	.0192
773-921303-00	BATTERY CONTACT PLATE (+VE,-VE) W/NICKEL PLATING		0	1.00000	.0327	.0327
964-921301-01	SENSOR LENS		0	1.00000	.0281	.0281

ASSB PRICE : 1.9036

** THIS SPARE LIST IS MADE FOR TECHNICAL / MAINTENANCE REFERENCE ONLY **

Print Date : 26/11/94

PRODUCT CODE : 882074-400003-GT

Page Number : 3

DESCRIPTION : 8820/CT-M486MKII TEAC PAL/BG W/AV IN MATT BLACK 240V SAA

Component Part	Description / Location	Unit	Subs	Quantity Required	Unit Price	Amount
*** ASSEMBLY : 155-000100-01-06 NON-COM PART FOR HANDSET ASS'Y (30 PROG)						
514-260410-00	SELF-TAPPING SCREW 2.6 X 10 B/T (HARDEN) CAB. MTG.	PC	0	1.00000	.0027	.0027
849-921302-00	CONTACT RUBBER KEY PAD (24 KEYS)		0	1.00000	.3880	.3880
892-921302-01	DIAL KEY PLATE - CLEAR W/BLK, WHI,D.GR,L.GREEN ENG (24 KEY)		0	1.00000	.1462	.1462
900-921310-11	HANDSET TOP CAB.- BLACK W/TEACDESIGN "RC-533 R/CONTROL UNIT"		0	1.00000	.2019	.2019
902-921310-01	HANDSET BOTTOM CABINET - BLACKMOULDED		0	1.00000	.1077	.1077
910-921301-01	BATTERY DOOR		0	1.00000	.0321	.0321
ASSB PRICE :						.8786

** THIS SPARE LIST IS MADE FOR TECHNICAL / MAINTENANCE REFERENCE ONLY **

Print Date : 26/11/84

PRODUCT CODE : 882074-400003-GT

Page Number : 4

DESCRIPTION : 8820/CT-M486MKII TEAC PAL/BG W/AV IN MATT BLACK 240V SAA

Component Part	Description / Location	Unit	Subs	Quantity Required	Unit Price	Amount
*** ASSEMBLY : 158-882074-40-00 COMMON PART FOR CHASSIS ASS'Y (BG)						
001-220027-07	FLYBACK TRANSFORMER FCM20B027 SAMSUNG T402	PC	0	1.00000	7.0702	7.0702
012-102340-06	SEMI-FIXED RESISTOR EVND8AA 03B13 1KB VR901,305	PC	0	2.00000	.0529	.1058
012-103330-06	SEMI-FIXED RESISTOR EVND 2AA 03B14 10KB VR504,502,501	PC	0	3.00000	.0587	.1760
012-103340-06	SEMI-FIXED RESISTOR EVND8AA 03B14 10KB VR304	PC	0	1.00000	.0529	.0529
012-104340-06	SEMI-FIXED RESISTOR EVND8AA 03B15 100KB VR306,308	PC	0	2.00000	.0558	.1115
012-203340-06	SEMI-FIXED RESISTOR EVND8AA 03B24 20KB VR301	PC	0	1.00000	.0529	.0529
012-301330-06	SEMI-FIXED RESISTOR EVND2AA 03B32 300B VR505,503	PC	0	2.00000	.0587	.1173
012-501340-06	SEMI-FIXED RESISTOR EVND 8AA 03B52 500B VR303	PC	0	1.00000	.0529	.0529
012-502340-06	SEMI-FIXED RESISTOR EVND8AA 03B53 5KB VR101,601	PC	0	2.00000	.0529	.1058
013-100001-02	GLASS DELAY LINE (ADVANCE MOTION/WEI HAW YCS-EN645A11) DLY302	PC	0	1.00000	.9481	.9481
013-200005-00	Y-DELAY LINE YBL50F18X DLY301	PC	0	1.00000	.4346	.4346
101-190710-96	HORIZONTAL DRIVE TRANSFORMER R0710 T401	PC	0	1.00000	.2885	.2885
101-288820-95	LINE FILTER 70MH L901	PC	0	1.00000	.7308	.7308
101-414025-94	SWITCHING POWER TRANSFORMER (HL4025B) T901	PC	0	1.00000	2.0769	2.0769
102-370600-02	TANK COIL / AFC COIL COILS 707851 T103,101	PC	0	2.00000	.1000	.2000
102-670100-02	SOUND IF COILS 707532 T102	PC	0	1.00000	.1000	.1000
102-770220-02	PAL COLOR DELAY LINE MATCHING COILS 800856 T302	PC	0	1.00000	.0865	.0865
102-770800-02	DOSC COIL. COILS 707932 T301	PC	0	1.00000	.1000	.1000
105-100101-02	FIXED INDUCTIVE COIL 10UH +-10% L104,303	PC	0	2.00000	.0458	.0917
105-100103-02	FIXED INDUCTIVE COIL 10UH +-10% AXIAL TYPE L105	PC	0	1.00000	.0342	.0342
105-201106-02	CHOKE COIL 200UH 10% CH9012- 201K (ELEC PRODUCT) L903	PC	0	1.00000	.1682	.1682
105-220101-02	FIXED INDUCTIVE COIL 22UH 10% L221	PC	0	1.00000	.0458	.0458
105-330101-02	FIXED INDUCTIVE COIL 33UH +-10% L301,302	PC	0	2.00000	.0458	.0917
105-331101-02	FIXED INDUCTIVE COIL 330UH +-10% L501	PC	0	1.00000	.0342	.0342

** THIS SPARE LIST IS MADE FOR TECHNICAL / MAINTENANCE REFERENCE ONLY **

Print Date : 26/11/94

PRODUCT CODE : 882074-400003-GT

Page Number : 5

DESCRIPTION : 8820/GT-M486MKII TEAC PAL/BG W/AV IN MATT BLACK 240V SAA

Component Part	Description / Location	Unit	Subs	Quantity Required	Unit Price	Amount
105-568101-02	FIXED INDUCTIVE COIL 5.6UH +-10% L103	PC	0	1.00000	.0231	.0231
105-650052-13	LINEARITY COIL 65UH FOR 20" L401	PC	0	1.00000	.3423	.3423
105-828103-02	FIXED INDUCTIVE COIL 0.82UH 10% AXIAL TYPE L101	PC	0	1.00000	.0342	.0342
106-210012-01	RELAY 12V OMIT-SS-112LM ORIGINAL RLY901	PC	0	1.00000	1.0125	1.0125
107-804000-66	4 MHZ RESONATOR CSA4.00MG MURATA X601	PC	0	1.00000	.1980	.1980
111-204201-23	VERIABLE RESISTOR 200K (EVUD2AE20B25 MATSUSHITA) VR302	PC	0	1.00000	.2115	.2115
113-100105-17	CARBON FILM RESISTOR 10 OHM 1/4W +-5% R642,643,607,104	PC	0	4.00000	.0028	.0112
113-101105-17	CARBON FILM RESISTOR 100 OHM 1/4W +-5% R608,609,610,611,612,613	PC	0	6.00000	.0030	.0179
113-101205-12	CARBON FILM RESISTOR 100 OHM 1/2W +-5% R651	PC	0	1.00000	.0062	.0062
113-102105-17	CARBON FILM RESISTOR 1K OHM 1/4W +-5% R348,306,602,652,102,111,107,137,333,372,004	PC	0	11.00000	.0028	.0307
113-102105-17	CARBON FILM RESISTOR 1K OHM 1/4W +-5% R406,382	PC	0	2.00000	.0028	.0056
113-102305-75	METAL OXIDE FILM RESISTOR 1K OHM 1W +-5% R410,408	PC	0	2.00000	.0192	.0384
113-103105-17	CARBON FILM RESISTOR 10K OHM 1/4W +-5% R418,908,136,114,203,	PC	0	5.00000	.0030	.0149
113-103105-17	CARBON FILM RESISTOR 10K OHM 1/4W +-5% R631,635,639,640,645,655,654,657,636,638	PC	0	10.00000	.0030	.0298
113-103105-17	CARBON FILM RESISTOR 10K OHM 1/4W +-5% R127,314,606,005,010,013,014,627,628,629,630	PC	0	11.00000	.0030	.0328
113-104105-17	CARBON FILM RESISTOR 100K OHM 1/4W +-5% R140,309,601,603,338,357	PC	0	6.00000	.0028	.0167
113-104305-75	METAL OXIDE FILM RESISTOR 100KOHM 1W +-5% R921	PC	0	1.00000	.0192	.0192
113-109105-17	CARBON FILM RESISTOR 1 OHM 1/4W +-5% R206	PC	0	1.00000	.0028	.0028
113-120305-75	METAL OXIDE FILM RESISTOR 12 OHM 1W +-5% R911	PC	0	1.00000	.0192	.0192
113-120405-75	METAL OXIDE FILM RESISTOR 12 OHM 2W +-5% R920	PC	0	1.00000	.0240	.0240
113-121105-17	CARBON FILM RESISTOR 120 OHM 1/4W +-5% R507	PC	0	1.00000	.0028	.0028
113-122105-17	CARBON FILM RESISTOR 1.2K OHM 1/4W +-5% R509,604,646	PC	0	3.00000	.0028	.0084
113-123105-17	CARBON FILM RESISTOR 12K OHM 1/4W +-5% R301	PC	0	1.00000	.0030	.0030
113-124105-17	CARBON FILM RESISTOR 120K OHM 1/4W +-5% R670	PC	0	1.00000	.0028	.0028
113-151105-17	CARBON FILM RESISTOR 150 OHM 1/4W +-5% R503,506,510,513,517,142,109	PC	0	7.00000	.0028	.0195

** THIS SPARE LIST IS MADE FOR TECHNICAL / MAINTENANCE REFERENCE ONLY **

Print Date : 26/11/94

PRODUCT CODE : 882074-400003-GT

Page Number : 6

DESCRIPTION : 8820/CT-M486MKII TEAC PAL/BG W/AV IN MATT BLACK 240V SAA

Component Part	Description / Location	Unit	Subs	Quantity Required	Unit Price	Amount
113-151205-12	CARBON FILM RESISTOR 150 OHM 1/2W +-5% R922	PC	0	1.00000	.0052	.0052
113-152105-17	CARBON FILM RESISTOR 1.5K OHM 1/4W +-5% R349,334,350,352	PC	0	4.00000	.0030	.0119
113-153105-17	CARBON FILM RESISTOR 15K OHM 1/4W +-5% R106,313,329,402,401,364,647,648	PC	0	8.00000	.0030	.0238
113-153405-75	METAL OXIDE FILM RESISTOR 15K OHM 2W +-5% R508,514,518	PC	0	3.00000	.0240	.0719
113-154105-17	CARBON FILM RESISTOR 150K OHM 1/4W +-5% R130	PC	0	1.00000	.0028	.0028
113-154205-12	CARBON FILM RESISTOR 150K OHM 1/2W +-5% R415	PC	0	1.00000	.0062	.0062
113-159405-42	NON-FLAMMABLE FUSE RESISTOR 1.5 OHM 2W +-5% R501	PC	0	1.00000	.0731	.0731
113-182105-17	CARBON FILM RESISTOR 1.8K OHM 1/4W +-5% R907,126,124	PC	0	3.00000	.0032	.0097
113-184105-17	CARBON FILM RESISTOR 180K OHM 1/4W +-5% R369	PC	0	1.00000	.0028	.0028
113-202805-75	METAL OXIDE FILM RESISTOR 2K OHM 5W +-5% R413	PC	0	1.00000	.1154	.1154
113-204105-17	CARBON FILM RESISTOR 200K OHM 1/4W +-5% R322	PC	0	1.00000	.0028	.0028
113-221105-17	CARBON FILM RESISTOR 220 OHM 1/4W +-5% R110,343,347	PC	0	3.00000	.0028	.0084
113-222105-17	CARBON FILM RESISTOR 2.2K OHM 1/4W +-5% R504,512,516,201,345,132,125,145,319,327,649,015	PC	0	12.00000	.0030	.0358
113-223105-17	CARBON FILM RESISTOR 22K OHM 1/4W +-5% R370,011,012,411,650,122,605,615,105,616,617,618	PC	0	12.00000	.0028	.0335
113-223105-17	CARBON FILM RESISTOR 22K OHM 1/4W +-5% R619,620,621,622,623,624,625,302,653,326,307	PC	0	11.00000	.0028	.0307
113-229305-42	NON-FLAMMABLE FUSING RESISTOR 2.2 OHM 1W +-5% R409	PC	0	1.00000	.0587	.0587
113-229305-72	METAL OXIDE FILM RESISTOR 2.2 OHM 1W +-5% R205	PC	0	1.00000	.0192	.0192
113-229405-75	METAL OXIDE FILM RESISTOR 2.2 OHM 2W +-5% R902	PC	0	1.00000	.0240	.0240
113-229605-51	WIRE WOUND CEMENT RESISTOR 2.2 OHM 5W +-5% R901	PC	0	1.00000	.1654	.1654
113-243105-17	CARBON FILM RESISTOR 24K OHM 1/4W +-5% R403	PC	0	1.00000	.0028	.0028
113-270105-17	CARBON FILM RESISTOR 27 OHM 1/4W +-5% R108	PC	0	1.00000	.0028	.0028
113-270405-75	METAL OXIDE FILM RESISTOR 27 OHM 2W +-5% R912	PC	0	1.00000	.0240	.0240
113-271105-17	CARBON FILM RESISTOR 270 OHM 1/4W +-5% R207	PC	0	1.00000	.0028	.0028
113-272105-17	CARBON FILM RESISTOR 2.7K OHM 1/4W +-5% R328,380,379,378,006,009	PC	0	6.00000	.0030	.0179
113-272205-12	CARBON FILM RESISTOR 2.7K OHM 1/2W +-5% R519,520,521,412,407	PC	0	5.00000	.0062	.0308

** THIS SPARE LIST IS MADE FOR TECHNICAL / MAINTENANCE REFERENCE ONLY **

Print Date : 26/11/94

PRODUCT CODE : 882074-400003-GT

Page Number : 7

DESCRIPTION : 8820/CT-M486MKII TEAC PAL/BG W/AV IN MATT BLACK 240V SAA

Component Part	Description / Location	Unit	Subs	Quantity Required	Unit Price	Amount
113-274105-17	CARBON FILM RESISTOR 270K OHM 1/4W +-5% R320	PC	0	1.00000	.0028	.0028
113-330105-17	CARBON FILM RESISTOR 33 OHM 1/4W +-5% R374	PC	0	1.00000	.0028	.0028
113-331105-17	CARBON FILM RESISTOR 330 OHM 1/4W +-5% R905,373,141,332,375,341,335,381	PC	0	8.00000	.0030	.0238
113-332102-17	CARBON FILM RESISTOR 3.3K OHM 1/4W +-2% R904	PC	0	1.00000	.0052	.0052
113-332105-17	CARBON FILM RESISTOR 3.3K OHM 1/4W +-5% R505,515,511,131	PC	0	4.00000	.0028	.0112
113-333105-17	CARBON FILM RESISTOR 33K OHM 1/4W +-5% R116,641,355,360,361,003,637,112,113,117,118,	PC	0	13.00000	.0028	.0363
113-333105-17	CARBON FILM RESISTOR 33K OHM 1/4W +-5% R103,644	PC	0	2.00000	.0028	.0056
113-334105-17	CARBON FILM RESISTOR 330K OHM 1/4W +-5% R365,626	PC	0	2.00000	.0028	.0056
113-334305-75	METAL OXIDE FILM RESISTOR 330KOHM 1W +-5% R913	PC	0	1.00000	.0192	.0192
113-338405-75	METAL OXIDE FILM RESISTOR 0.330HM 2W +-5% R914	PC	0	1.00000	.0240	.0240
113-390605-75	METAL OXIDE FILM RESISTOR 39 OHM 5W +-5% R915	PC	0	1.00000	.1154	.1154
113-392105-17	CARBON FILM RESISTOR 3.9K OHM 1/4W +-5% R336,371,376,101,315,324	PC	0	6.00000	.0028	.0167
113-393105-17	CARBON FILM RESISTOR 39K OHM 1/4W +-5% R337,353	PC	0	2.00000	.0030	.0060
113-470105-17	CARBON FILM RESISTOR 47 OHM 1/4W +-5% R419	PC	0	1.00000	.0030	.0030
113-471105-17	CARBON FILM RESISTOR 470 OHM 1/4W +-5% R147,340,356,007,311	PC	0	5.00000	.0028	.0139
113-472105-17	CARBON FILM RESISTOR 4.7K OHM 1/4W +-5% R910,016,133	PC	0	3.00000	.0030	.0089
113-473105-17	CARBON FILM RESISTOR 47K OHM 1/4W +-5% R632,633,404,150,148,383	PC	0	6.00000	.0030	.0179
113-479205-12	CARBON FILM RESISTOR 4.7 OHM 1/2W +-5% R139	PC	0	1.00000	.0062	.0062
113-562105-17	CARBON FILM RESISTOR 5.6K OHM 1/4W +-5% R502,115,138,318,377,202,208,204,008	PC	0	9.00000	.0028	.0251
113-563105-17	CARBON FILM RESISTOR 56K OHM 1/4W +-5% R316,002,656,321	PC	0	4.00000	.0028	.0112
113-564105-17	CARBON FILM RESISTOR 560K OHM 1/4W +-5% R317	PC	0	1.00000	.0030	.0030
113-565205-92	CARBON COMPOSITION RESISTOR 5.6M 1/2W +-5% R916,917	PC	0	2.00000	.0663	.1327
113-629505-75	METAL OXIDE FILM RESISTOR 5.2 OHM 3W +-5% R414	PC	0	1.00000	.0510	.0510
113-680105-17	CARBON FILM RESISTOR 68 OHM 1/4W +-5% R331	PC	0	1.00000	.0028	.0028
113-681105-17	CARBON FILM RESISTOR 680 OHM 1/4W +-5% R325,362,363,359	PC	0	4.00000	.0030	.0119

** THIS SPARE LIST IS MADE FOR TECHNICAL / MAINTENANCE REFERENCE ONLY **

Print Date : 26/11/94

PRODUCT CODE : 882074-400003-GT

Page Number : 8

DESCRIPTION : 8820/GT-M486MKII TEAC PAL/BG W/AV IN MATT BLACK 240V SAA

Component Part	Description / Location	Unit	Subs	Quantity Required	Unit Price	Amount
113-681205-12	CARBON FILM RESISTOR 680 OHM 1/2W +-5% R342	PC	0	1.00000	.0062	.0062
113-682102-17	CARBON FILM RESISTOR 6.8K OHM 1/4W +-2% R903	PC	0	1.00000	.0052	.0052
113-682105-17	CARBON FILM RESISTOR 6.8K OHM 1/4W +-5% R909,367,405,634	PC	0	4.00000	.0028	.0112
113-682605-75	METAL OXIDE FILM RESISTOR 6.8KOHM 5W +-5% R330	PC	0	1.00000	.1154	.1154
113-683105-17	CARBON FILM RESISTOR 68K OHM 1/4W +-5% R323,658,128,366,C632	PC	0	5.00000	.0028	.0139
113-684105-17	CARBON FILM RESISTOR 680K OHM 1/4W +-5% R312	PC	0	1.00000	.0063	.0063
113-688205-42	FUSING RESISTOR 0.68 OHM 1/2W +-5% R919	PC	0	1.00000	.0462	.0462
113-688305-42	FUSING RESISTOR 0.68 OHM 1W +-5% R416,417,918	PC	0	3.00000	.0587	.1760
113-820105-17	CARBON FILM RESISTOR 82 OHM 1/4W +-5% R120	PC	0	1.00000	.0028	.0028
113-821105-17	CARBON FILM RESISTOR 820 OHM 1/4W +-5% R144,339,358,344,001	PC	0	5.00000	.0028	.0139
113-822105-17	CARBON FILM RESISTOR 8.2K OHM 1/4W +-5% R906,310,614	PC	0	3.00000	.0030	.0089
113-822405-75	METAL OXIDE FILM RESISTOR 8.2KOHM 2W +-5% R123	PC	0	1.00000	.0240	.0240
113-823105-17	CARBON FILM RESISTOR 82K OHM 1/4W +-5% R354,351,303	PC	0	3.00000	.0028	.0084
113-824105-17	CARBON FILM RESISTOR 820K OHM 1/4W +-5% R129	PC	0	1.00000	.0028	.0028
114-210200-01	THERMISTOR (NICHICON ZPB53 BL 200C) TH901	PC	0	1.00000	.4231	.4231
122-300101-03	TRIMMER CAP. 30 PF CTC-6U-030 CT301	PC	0	1.00000	.1154	.1154
123-100340-60	CERAMIC CAP. 10PF +-5% 50V (SL TYPE) C326	PC	0	1.00000	.0098	.0098
123-100340-93	CERAMIC CAP. 10 PF 50V +-5% (NPO) C331	PC	0	1.00000	.0144	.0144
123-101350-60	CERAMIC CAP. 100 PF 50V +-10% (SL TYPE) C344,620,621	PC	0	3.00000	.0098	.0294
123-102350-90	CERAMIC CAP. 0.001 MFD 50V +-10% (B TYPE) C502,505,507,130	PC	0	4.00000	.0106	.0423
123-102850-10	CERAMIC CAP. 0.001 MFD 2KV +-10% MATSUSHITA C508	PC	0	1.00000	.1385	.1385
123-103370-90	CERAMIC CAP. 0.01 MFD 50V +80 -20% C105,111,113,126,131,120,124,129,136,137,141,134	PC	0	12.00000	.0098	.1177
123-103370-90	CERAMIC CAP. 0.01 MFD 50V +80 -20% C320,626,628,313,321,323,324,348,611,614,201,351	PC	0	12.00000	.0098	.1177
123-104270-90	CERAMIC CAP. 0.1 MFD 25V +80 -20% C619	PC	0	1.00000	.0335	.0335
123-122551-90	CERAMIC CAP. 0.0012 MFD 500V +-10% (B TYPE) MATSUSHITA C416	PC	0	1.00000	.0423	.0423

** THIS SPARE LIST IS MADE FOR TECHNICAL / MAINTENANCE REFERENCE ONLY **

Print Date : 26/11/94

PRODUCT CODE : 882074-400003-GT

Page Number : 9

DESCRIPTION : 8820/CT-M488MKII TEAC PAL/BG W/AV IN MATT BLACK 240V SAA

Component Part	Description / Location	Unit	Subs	Quantity Required	Unit Price	Amount
123-150340-93	CERAMIC CAP. 15 PF 50V +-5% (NPO) C139,607,332	PC	0	3.00000	.0144	.0433
123-151350-60	CERAMIC CAP 150 PF 50V +-10% (SL TYPE) C343	PC	0	1.00000	.0116	.0116
123-180340-60	CERAMIC CAP. 18PF 50V +-5% (SL TYPE) C335,225,143	PC	0	3.00000	.0107	.0322
123-182850-10	CERAMIC CAP. 0.0018 MFD 2KV +-10% MATSUSHITA C419	PC	0	1.00000	.1385	.1385
123-202350-90	CERAMIC CAP. 0.002 MFD 50V +-10% (B TYPE) C605	PC	0	1.00000	.0133	.0133
123-209340-93	CERAMIC CAP. 2PF 50V +-5% (NPO) C140,132	PC	0	2.00000	.0144	.0288
123-221350-60	CERAMIC CAP. 220 PF 50V +-10% (SL TYPE) C102,336,613,616,617,823,328	PC	0	7.00000	.0106	.0740
123-221551-90	CERAMIC CAP. 220 PF 500V +-10% MATSUSHITA C915	PC	0	1.00000	.0481	.0481
123-222850-10	CERAMIC CAP. 0.0022 MFD 2KV +-10% MATSUSHITA C911	PC	0	1.00000	.2500	.2500
123-223370-90	CERAMIC CAP. 0.022 MFD 50V +80-20% C109,121,138,406	PC	0	4.00000	.0128	.0512
123-300340-93	CERAMIC CAP. 30 PF 50V +-5% (NPO) C608,609	PC	0	2.00000	.0149	.0298
123-331350-60	CERAMIC CAP. 330 PF 50V +-10% (SL TYPE) C501,506	PC	0	2.00000	.0120	.0240
123-390340-93	CERAMIC CAP. 39PF 50V +-5% (NPO) C345,603	PC	0	2.00000	.0149	.0298
123-470340-60	CERAMIC CAP. 47 PF 50V +-5% (SL TYPE) C347	PC	0	1.00000	.0098	.0098
123-471350-60	CERAMIC CAP. 470 PF 50V +-10% (SL TYPE) C304,612,002	PC	0	3.00000	.0160	.0479
123-472551-90	CERAMIC CAP. 0.0047 MFD 500V +-10% (B TYPE) MATSUSHITA C913,415,424	PC	0	3.00000	.1173	.3519
123-472552-90	CERAMIC CAP. 0.0047 MFD 500V +-10% (B TYPE) SMALL SIZE C903,904,907	PC	0	3.00000	.0654	.1963
123-560340-60	CERAMIC CAP. 56PF 50V +-5% (SL TYPE) C503	PC	0	1.00000	.0098	.0098
123-561350-60	CERAMIC CAP. 560 PF 50V +-10% (SL TYPE) C610	PC	0	1.00000	.0160	.0160
123-680340-93	CERAMIC CAP. 68 PF 50V +-5% (NPO) C327	PC	0	1.00000	.0132	.0132
123-709340-93	CERAMIC CAP. 7PF 50V +-5% (NPO) C329	PC	0	1.00000	.0106	.0106
123-821850-10	CERAMIC CAP. 820 PF 2KV +-10% (SL TYPE) MATSUSHITA C914,427	PC	0	2.00000	.1308	.2615
124-474061-03	TANTALIUM CAP. 0.47 MFD 35V +-10% C403	PC	0	1.00000	.0714	.0714
126-102071-01	MYLAR CAP. 0.001 MFD 50V +-10% C314,410,405	PC	0	3.00000	.0104	.0312
126-103071-01	MYLAR CAP. 0.01 MFD 50V +-10% C104,302,307,312	PC	0	4.00000	.0115	.0462

** THIS SPARE LIST IS MADE FOR TECHNICAL / MAINTENANCE REFERENCE ONLY **

Print Date : 26/11/94

PRODUCT CODE : 882074-400003-GT

Page Number : 10

DESCRIPTION : 8820/CT-M486MKII TEAC PAL/BG W/AV IN MATT BLACK 240V SAA

Component Part	Description / Location	Unit	Subs	Quantity Required	Unit Price	Amount
126-104071-01	MYLAR CAP. 0.1 MFD 50V +-10% C106,107,110,402,625,908,401	PC	0	7.00000	.0260	.1817
126-104101-31	POLYPROPYLENE CAP. 0.1 MFD 100V +-10% C426	PC	0	1.00000	.1212	.1212
126-152071-01	MYLAR CAP. 0.0015 MFD 50V +-10% C303	PC	0	1.00000	.0104	.0104
126-154071-01	MYLAR CAP. 0.15 MFD 50V +-10% C203	PC	0	1.00000	.0317	.0317
126-222161-41	METALIZED POLYPROPYLENE CAP. 0.0022 MFD 1600V +-10% C421	PC	0	1.00000	.2442	.2442
126-223071-01	MYLAR CAP. 0.022 MFD 50V +-10% C333,334	PC	0	2.00000	.0135	.0269
126-224071-01	MYLAR CAP 0.22 MFD 50V +-10% C315	PC	0	1.00000	.0462	.0462
126-302070-31	POLYPROPYLENE CAP. 0.003 MFD 50V +-5% C319	PC	0	1.00000	.0692	.0692
126-332161-41	METALIZED POLYPROPYLENE CAP. 0.0033 MFD 1600V +-10% C418	PC	0	1.00000	.2635	.2635
126-333071-01	MYLAR CAP. 0.033 MFD 50V +-10% C305,308,906	PC	0	3.00000	.0142	.0427
126-473071-01	MYLAR CAP. 0.047 MFD 50V +-10% C407	PC	0	1.00000	.0190	.0190
126-473201-31	POLYPROPYLENE CAP. 0.047 MFD 200V +-10% C420	PC	0	1.00000	.0795	.0795
126-473211-41	METALLIZED POLYPROPYLENE CAP 0.047 MFD 250V +-10% VDE C902	PC	0	1.00000	.1488	.1488
126-474201-31	POLYPROPYLENE CAP 0.47 MFD 200V +-10% C413	PC	0	1.00000	.2788	.2788
126-474211-41	METALLIZED POLYPROPYLENE CAP 0.47 MFD 250V +-10% VDE C901	PC	0	1.00000	.3796	.3796
126-562071-01	MYLAR CAP. 0.0056 MFD 50V +-10% C316	PC	0	1.00000	.0125	.0125
127-105072-03	ELECT. CAP. 1 MFD 50V +-20% C306,318,330,337,350,117	PC	0	6.00000	.0240	.1442
127-105132-03	ELECT. CAP. 1 MFD 160V +-20% C414	PC	0	1.00000	.0481	.0481
127-106042-03	ELECT. CAP. 10 MFD 16V +-20% C004,006,008,009,108,338,339,504,346,101	PC	0	10.00000	.0240	.2404
127-106042-03	ELECT. CAP. 10 MFD 16V +-20% C601,606,602,604,618,207,629,342,622,624,114	PC	0	11.00000	.0240	.2644
127-106102-03	ELECT CAP. 10MFD 100V +-20% NICHICON C910	PC	0	1.00000	.0481	.0481
127-106252-03	ELECT. CAP. 10 MFD 250V +-20% C425	PC	0	1.00000	.1346	.1346
127-107042-03	ELECT. CAP. 100 MFD 16V +-20% C010,627	PC	0	2.00000	.0346	.0692
127-107052-03	ELECT CAP. 100MFD 25V +-20% C209	PC	0	1.00000	.0465	.0465
127-107062-03	ELECT. CAP. 100 MFD 35V +-20% C404,411	PC	0	2.00000	.0519	.1038

** THIS SPARE LIST IS MADE FOR TECHNICAL / MAINTENANCE REFERENCE ONLY **

Print Date : 26/11/94

PRODUCT CODE : 882074-400003-GT

Page Number : 11

DESCRIPTION : 8820/CT-M486MKII TEAC PAL/BG W/AV IN MATT BLACK 240V SAA

Component Part	Description / Location	Unit	Subs	Quantity Required	Unit Price	Amount
127-107132-03	ELECT. CAP. 100 MFD 160V +-20% C918,423	PC	0	2.00000	.3231	.6462
127-107402-03	ELECT. CAP. 100 MFD 400V +-20% C905	PC	0	1.00000	.9504	.9904
127-108042-03	ELECT. CAP. 1000 MFD 16V +-20% C325,349	PC	0	2.00000	.1192	.2385
127-108052-03	ELECT. CAP. 1000 MFD 25V +-20% C202	PC	0	1.00000	.1442	.1442
127-225071-05	ELECT CAP. 2.2UF 50V +-10% (TIME CONSTANT) C311	PC	0	1.00000	.0567	.0567
127-225072-03	ELECT. CAP 2.2 MFD 50V +-20% C118,127,128,206,103	PC	0	5.00000	.0240	.1202
127-227042-03	ELECT. CAP. 220 MFD 16V +-20% C615,317	PC	0	2.00000	.0404	.0808
127-227062-03	ELECT. CAP. 220 MFD 35V +-20% C412,916	PC	0	2.00000	.0712	.1423
127-228052-03	ELECT. CAP. 2200 MFD 25V +-20% C417,408,135	PC	0	3.00000	.3192	.9577
127-335042-03	ELECT. CAP. 3.3 MFD 16V +-20% C125	PC	0	1.00000	.0240	.0240
127-335071-05	ELECT CAP. 3.3UF 50V +-10% (TIME CONSTANT) C409	PC	0	1.00000	.0567	.0567
127-336042-03	ELECT. CAP. 33 MFD 16V +-20% C001	PC	0	1.00000	.0240	.0240
127-336042-23	ELECT. CAP. BIPOLAR 33 MFD 16V+-20% C003,007	PC	0	2.00000	.0692	.1385
127-474072-03	ELECT. CAP. 0.47 MFD 50V +-20% C208,309,310,322,123	PC	0	5.00000	.0240	.1202
127-475052-03	ELECT. CAP. 4.7 MFD 25V +-20% C122	PC	0	1.00000	.0240	.0240
127-476042-03	ELECT. CAP. 47 MFD 16V +-20% C119,205	PC	0	2.00000	.0288	.0577
127-476052-03	ELECT. CAP. 47 MFD 25V +-20% C917	PC	0	1.00000	.0365	.0365
127-476072-07	ELECT.CAP. 47 MFD 50V +-20% NICHICON C909	PC	0	1.00000	.0404	.0404
127-477042-03	ELECT. CAP. 470 MFD 16V +-20% C204,144	PC	0	2.00000	.0712	.1423
130-111N60-00	DIODE 1N 60 D313	PC	0	1.00000	.0442	.0442
130-134148-01	SILICON DIODE IN4148 D620,621,622,623,624,625	PC	0	6.00000	.0092	.0554
130-134148-01	SILICON DIODE IN4148 D602,604,605,601,603,309,310,311,312,406,607,101	PC	0	12.00000	.0092	.1108
130-134148-01	SILICON DIODE IN4148 D608,609,610,613,614,611,612,615,618,619,616	PC	0	11.00000	.0092	.1015
130-134148-01	SILICON DIODE IN4148 D906,306,307,308,305,304,303,302,301,001,002,003	PC	0	12.00000	.0092	.1108
130-134148-01	SILICON DIODE IN4148 D104	PC	0	1.00000	.0092	.0092

** THIS SPARE LIST IS MADE FOR TECHNICAL / MAINTENANCE REFERENCE ONLY **

Print Date : 26/11/94

PRODUCT CODE : 882074-400003-GT

Page Number : 12

DESCRIPTION : 8820/GT-M486MKII TEAC PAL/BG W/AV IN MATT BLACK 240V SAA

Component Part	Description / Location	Unit	Subs	Quantity Required	Unit Price	Amount
130-310156-00	BRIDGE RECTIFIER RB156 SANKEN BR 901	PC	0	1.00000	.4838	.4838
130-311541-60	RECTIFIER DOIDE 1R5JU41 D904	PC	0	1.00000	.1786	.1786
130-311545-60	RECTIFIER DIODE 1R5JH45 D404	PC	0	1.00000	.1637	.1637
130-315295-00	RECTIFIER DIODE S5295G TOSHIBA D901,902,905,402,403,903,405,401	PC	0	8.00000	.0968	.7740
130-410039-01	ZENER DIODE 3.9V ZD602	PC	0	1.00000	.0240	.0240
130-410056-01	ZENER DIODE 5.6V ZD601	PC	0	1.00000	.0246	.0246
130-410082-01	ZENER DIODE 8.2V ZD901	PC	0	1.00000	.0240	.0240
130-410574-00	ZENER DIODE UPC 574J NEC OR KA33V SAMSUNG ZD101	PC	0	1.00000	.1593	.1593
130-411091-01	ZENER DIODE 9.1V ZD902	PC	0	1.00000	.0240	.0240
130-422120-00	ZENER DIODE 1W 12V ZD401	PC	0	1.00000	.0596	.0596
130-512044-00	LED 3MM RED 204MDC LED601	PC	0	1.00000	.0298	.0298
131-210562-28	TRANSISTOR 2SA562TM TOSHIBA Q304	PC	0	1.00000	.0357	.0357
131-211015-00	TRANSISTOR 2SA1015 TOSHIBA Q601,002,003	PC	0	3.00000	.0290	.0871
131-220774-20	TRANSISTOR 2SB774 MATSUSHITA Q902	PC	0	1.00000	.1519	.1519
131-230388-00	TRANSISTOR 2SC388A TOSHIBA Q102	PC	0	1.00000	.1340	.1340
131-231317-00	TRANSISTOR 2SC1317 MATSUSHITA Q606,609	PC	0	2.00000	.0348	.0697
131-231815-25	TRANSISTOR 2SC1815 TOSHIBA Q602,603,001,004,005,104,105,301,103,101,302,303	PC	0	12.00000	.0268	.3215
131-231815-25	TRANSISTOR 2SC1815 TOSHIBA Q604,605,607,608,901,903,610,611,612	PC	0	9.00000	.0268	.2411
131-232482-00	TRANSISTOR 2SC2482 TOSHIBA Q401,501,502,503,504,505	PC	0	6.00000	.0968	.5805
131-240400-00	TRANSISTOR 2SD400E/F SANYO Q201	PC	0	1.00000	.0893	.0893
131-241431-00	TRANSISTOR 2SD1431 TOSHIBA WITH MICA SHEET (24MM X 33MM) Q904	PC	0	1.00000	1.1015	1.1015
131-241555-00	TRANSISTOR 2SD1555 TOSHIBA Q402	PC	0	1.00000	.9377	.9377
133-101904-31	IC TDA 1904 IC 201	PC	0	1.00000	.5210	.5210
133-107680-14	IC TA7680 TOSHIBA IC102	PC	0	1.00000	1.4140	1.4140
133-107698-14	IC TA7698AP TOSHIBA IC301	PC	0	1.00000	2.9769	2.9769

** THIS SPARE LIST IS MADE FOR TECHNICAL / MAINTENANCE REFERENCE ONLY **

Print Date : 26/11/94

PRODUCT CODE : 882074-400003-GT

Page Number : 13

DESCRIPTION : 8820/GT-M486MKII TEAC PAL/BG W/AV IN MATT BLACK 240V SAA

Component Part	Description / Location	Unit	Subs	Quantity Required	Unit Price	Amount
133-107910-16	IC LA7910 SANYO IC101	PC	0	1.00000	.2977	.2977
133-205521-11	IC AN5521 MATSUSHITA IC401	PC	0	1.00000	.8925	.8925
133-334300-12	IC M34300 MITSUBISHI IC601	PC	0	1.00000	3.2300	3.2300
133-380011-12	IC 80011A MITSUBISHI IC602	PC	0	1.00000	1.2950	1.2950
136-500337-00	REMOTE RECEIVER (KODENSHI OPT601	PC	0	1.00000	1.0865	1.0865
137-443618-20	CRYSTAL 4.43 MHZ X301	PC	0	1.00000	.4125	.4125
144-041420-85	POWER SW. 70060-115 TECHNOKEY (TV3) S602	PC	0	1.00000	1.2572	1.2572
145-022412-09	SLIDE SWITCH 2P2T SS-22F08G9 S301	PC	0	1.00000	.0346	.0346
146-100002-13	TACT SWITCH KSM0634A HDK S603,604,601,613,609,614,608,615	PC	0	8.00000	.0673	.5385
146-104016-13	TACT SWITCH 31TM116A UNITRONIC S611,610,606,605	PC	0	4.00000	.0692	.2769
160-101001-08	PIN CONNECTOR 1 PIN PLUG STRAIGHT FOR CN501,901,902	PC	0	3.00000	.0203	.0608
160-102255-27	PIN CONNECTOR 2 PINS PLUG STRAIGHT (UL) CN201,202,601	PC	0	3.00000	.0154	.0462
160-102805-08	PIN CONNECTOR 2 PIN PLUG STRAIGHT CN903	PC	0	1.00000	.0518	.0518
160-103805-08	PIN CONNECTOR 3 PIN PLUG STRAIGHT CN402	PC	0	1.00000	.0698	.0698
160-104805-08	PIN CONNECTOR 4 PIN PLUG STRAIGHT CN401	PC	0	1.00000	.0743	.0743
160-108255-27	PIN CONNECTOR 8 PINS PLUG CN302	PC	0	1.00000	.0721	.0721
161-470002-00	RCA JACK HT02 BLACK "MING FUNG" J002	PC	0	1.00000	.0962	.0962
161-470003-00	RCA JACK HT03 YELLOW "MING FUNG" J001	PC	0	1.00000	.0962	.0962
161-540004-01	CRT SOCKET ISH-01 IN CHANG	PC	0	1.00000	.6346	.6346
172-620014-40	UL 1007 TOP COAT WIRE AWG 20 140MM BLACK 10 X 10 MM MAIN P.C.B. 'E' TO 'E'	PC	0	1.00000	.0116	.0116
172-622007-40	UL 1007 TOP COAT WIRE #22 70MMBLACK 5 X 5 MM FOR IC401 GND TO GND, JURPER 'M' GND TO C412 GND	PC	0	2.00000	.0041	.0082
172-622016-40	UL 1007 TOP COAT WIRE AWG 22 160MM BLACK 10 X 10 MM MAIN P.C.B. 'H' TO W041	PC	0	1.00000	.0085	.0085
172-626004-40	UL 1007 TOP COAT WIRE AWG 26 40MM BLACK 5 X 5 MM FOR X301 TO GND	PC	0	1.00000	.0018	.0018
172-626008-40	UL 1007 TOP COAT WIRE AWG 26 80MM BLACK 10 X 10 MM MAIN P.C.B. 'K' TO HEAT SINK OF Q402	PC	0	3.00000	.0022	.0065
172-626008-40	UL 1007 TOP COAT WIRE AWG 26 80MM BLACK 10 X 10 MM MAIN P.C.B. 'M' TO HEAT SINK OF IC401	PC	0	.00000	.0022	.0000

** THIS SPARE LIST IS MADE FOR TECHNICAL / MAINTENANCE REFERENCE ONLY **

Print Date : 26/11/94

PRODUCT CODE : 882074-400003-GT

Page Number : 14

DESCRIPTION : 8820/GT-M486MKII TEAC PAL/BG W/AV IN MATT BLACK 240V SAA

Component Part	Description / Location	Unit	Subs	Quantity Required	Unit Price	Amount
172-525008-40	UL 1007 TOP COAT WIRE AWG 26 80MM BLACK 10 X 10 MM MAIN P.C.B. 'L' TO HEAT SINK OF Q904	PC	0	.00000	.0022	.0000
172-525014-43	UL 1007 TOP COAT WIRE AWG 26 140MM ORANGE 10 X 10 MM MAIN P.C.B. 'A' TO 'A'	PC	0	1.00000	.0035	.0035
172-525016-42	UL 1007 TOP COAT WIRE AWG 26 160MM RED 10 X 10 MM MAIN P.C.B. 'G' TO 'G'	PC	0	1.00000	.0048	.0048
172-525018-43	UL 1007 TOP COAT WIRE AWG 26 180MM ORANGE 10 X 10 MM MAIN P.C.B. 'N' TO 'N'	PC	0	1.00000	.0053	.0053
172-525020-42	UL 1007 TOP COAT WIRE AWG 26 200MM RED 10 X 10 MM MAIN P.C.B. 'O' TO 'O'	PC	0	1.00000	.0048	.0048
172-725000-99	BARE WIRE 54MM W001-039,041-061,064-095,097,099-103,105-110	M	0	6.10000	.0092	.0563
172-725000-99	BARE WIRE 54MM W112-113,501-503	M	0	.00000	.0092	.0000
172-830120-99	FLAT BRIDED WIRE CRT GROUND	PC	0	1.20000	.1365	.1638
179-001010-00	OIL SLEEVING 1 MM DIA. L=40MM,20MM FOR BR901,20MM FOR D904	M	0	.04000	.0001	.0000
179-403030-00	3MM DIA. SHRINKABLE TUBE FOR 130MM SOLDERING LUG	PC	0	.13000	.2750	.0357
179-403080-00	SHRINKABLE TUBE 180MM FOR 4-DEGAUSSING COIL LUG(P/N:750-892002-00)	PC	0	.18000	.3000	.0540
182-233150-03	FUSE T3.15A 250V F901	PC	0	1.00000	.1027	.1027
190-882001-00	P.C.BOARD CRT (160393)	PC	0	1.00000	.2712	.2712
190-882004-01	MAIN P.C.BOARD (280392)	PC	0	1.00000	2.4577	2.4577
191-100034-09	1 PIN SOCKET ASSM'Y L=220MM CRT GND TO CN501	PC	0	1.00000	.0429	.0429
191-100035-09	1 PIN SOCKET ASSM'Y FROM POWER SWITCH TO CN 901	PC	0	1.00000	.1072	.1072
191-100036-09	1 PIN SOCKET ASSM'Y FROM POWER SWITCH TO CN 902	PC	0	1.00000	.0915	.0915
191-200031-09	2 PIN SOCKET ASS'Y L=80MM FOR CN601 TO POWER SWITCH	PC	0	1.00000	.0369	.0369
191-300040-09	3 PIN SOCKET ASSM'Y CN402 '1' TO 'I', '2' TO 'J', '3' TO 'K' ON CRT BOARD	PC	0	1.00000	.1275	.1275
191-801103-07	8 PINS SOCKET ASS'Y CN302 '1' TO CRT 'A', '2' TO 'B', '3' TO 'C', '4' TO 'D'	PC	0	1.00000	.2212	.2212
191-801103-07	8 PINS SOCKET ASS'Y '5' TO 'E', '6' TO 'F', '7' TO 'G', '8' TO 'H'	PC	0	.00000	.2212	.0000
504-305008-10	MACHINE SCREW 3 X 8 B/M FOR POWER SW. MTG.	PC	0	2.00000	.0012	.0025
516-300308-10	SELF-TAPPING SCREW 3 X 8 P/A (HARDEN) FOR HEAT SINK (C)	PC	0	2.00000	.0021	.0042
517-303312-10	SELF-TAPPING SCREW 3 X 12 W/A W/H=7MM (HARDEN) FOR HEAT SINK (A) & (B)	PC	0	2.00000	.0032	.0065
580-101261-01	CABLE TIE L=100MM FOR CRT BOARD , CONNECTON	PC	0	7.00000	.0037	.0256
630-083216-00	FIBRE WASHER FOR POWER SW. MTG. (BETWEEN POWER SW. & MTG.BKT.)		0	2.00000	.0096	.0192

** THIS SPARE LIST IS MADE FOR TECHNICAL / MAINTENANCE REFERENCE ONLY **

Print Date : 26/11/94

PRODUCT CODE : 882074-400003-GT

Page Number : 15

DESCRIPTION : 8820/CT-M486MKII TEAC PAL/BG W/AV IN MATT BLACK 240V SAA

Component Part	Description / Location	Unit	Subs	Quantity Required	Unit Price	Amount
746-053101-00	TEST PIN:TOTAL LENGTH 18.5MM THK:0.8MM TP103,104,302	PC	0	3.00000	.0038	.0115
750-063101-00	SOLDERING LUG LEG:8X4MM FOR HEAT SINK (A) , (B) & (C)	PC	0	3.00000	.0023	.0069
750-063102-01	35MM SOLDERING LUG OD:7 ID:3.2 LEG:4X35MM FOR AC LINE CORD, SPK. CONNECTOR		0	4.00000	.0087	.0346
750-892002-00	DEGAUSSING COIL LUG FOR DEGAUSSING COIL		0	4.00000	.0096	.0385
766-686801-00	FUSE HOLDER		0	2.00000	.0135	.0269
781-881314-00	ALUMINIUM HEAT SINK (C) FOR IC401		0	1.00000	.1596	.1596
781-882001-02	ALUMINIUM HEAT SINK (B) FOR Q402		0	1.00000	.2115	.2115
781-882101-01	ALUMINIUM HEAT SINK (A) FOR Q904		0	1.00000	.1712	.1712
783-881306-01	SHIELD CAN COVER		0	1.00000	.0769	.0769
783-881313-00	SHIELD CAN		0	1.00000	.1288	.1288
929-881301-00	LED HOLDER BKT		0	1.00000	.0217	.0217

ASSB PRICE : 53.5425

** THIS SPARE LIST IS MADE FOR TECHNICAL / MAINTENANCE REFERENCE ONLY **

Print Date : 26/11/94

PRODUCT CODE : 882074-400003-GT

Page Number : 16

DESCRIPTION : 8820/CT-M486MKII TEAC PAL/BG W/AV IN MATT BLACK 240V SAA

Component Part	Description / Location	Unit	Subs	Quantity Required	Unit Price	Amount
*** ASSEMBLY : 158-882074-40-02 COM PART CHASSIS ASS'Y NEW ZEALAND TUNER						
003-131513-06	TUNER UVC6513-VC WITTIS	PC	0	1.00000	9.8983	9.8983
107-105500-66	SOUND TRAP CERAMIC FILTER CF103	PC	0	1.00000	.1465	.1465
107-305500-16	SOUND BYPASS CERAMIC FILTER CF102	PC	0	1.00000	.1465	.1465
107-738900-07	SAW FILTER TOSHIBA (F1044PS) SA101	PC	0	1.00000	1.0119	1.0119
123-103370-90	CERAMIC CAP. 0.01 MFD 50V +80 -20% C115	PC	0	1.00000	.0098	.0098
123-222466-41	CERAMIC CAP. 0.0022 MFD 400V +-20% ECK-DNS222MEX MATSUSHITA C912	PC	0	1.00000	.2058	.2058
171-550084-02	84" AC LINE CORD (END-CUT)SAA APPW/7.5A PLUG.	PC	0	1.00000	.6154	.6154

ASSB PRICE : 12.0342

** THIS SPARE LIST IS MADE FOR TECHNICAL / MAINTENANCE REFERENCE ONLY **

Print Date : 26/11/94

PRODUCT CODE : 882074-400003-GT

Page Number : 17

DESCRIPTION : 8820/CT-M486MKII TEAC PAL/BG W/AV IN MATT BLACK 240V SAA

Component Part	Description / Location	Unit	Subs	Quantity Required	Unit Price	Amount
*** ASSEMBLY : 159-882074-40-00 COMMON PART FOR CASING ASS'Y (BG)						
008-550201-05	DEGAUSSING COIL 60T 44MM X 34 MM (W/FIVE LAYERS OF TAPE) L902	PC	0	1.00000	1.5769	1.5769
166-183040-40	SPEAKER 4" 3W 80HM	PC	0	2.00000	.7308	1.4615
179-105000-00	UL PVC TUBE 5MM DIA L=950MM,400MM FOR SPK 'L',550MM FOR SPK 'R'	M	0	.95000	.1865	.1772
191-200044-09	2 PIN SOCKET ASSM'Y L=440MM CN202 '2' TO SPK L '-', '1' TO SPK L '+'	PC	0	1.00000	.0442	.0442
191-200056-09	2 PIN SOCKET ASSM'Y L=560MM CN201 '2' TO SPK R '-', '1' TO SPK R '+'	PC	0	1.00000	.0481	.0481
309-305010-00	MACHINE SCREW 3 X 10 KM BLACK JACK PLATE MTG	PC	0	2.00000	.0021	.0042
514-400425-10	SELF-TAPPING SCREW 4 X 25 B/T (HARDEN) 12 FOR CRT MTG , 3 FOR CAB. MTG	PC	0	15.00000	.0084	.1413
514-400435-10	SELF-TAPPING SCREW 4 X 35 B/T (HARDEN) FOR CAB. MTG	PC	0	6.00000	.0100	.0600
515-303310-10	SELF-TAPPING SCREW 3 X 10 W/P/A (HARDEN) FOR SPEAKER MTG.	PC	0	4.00000	.0029	.0115
515-303410-10	SELF-TAPPING SCREW 3 X 10 W/B/T (HARDEN) 12 FOR MAIN P.C.B. , 2 FOR PUSH BUTTON	PC	0	14.00000	.0035	.0485
515-306320-10	SELF-TAPPING SCREW 3 X 20 W/P/A (HARDEN) FOR SPEAKER MTG.	PC	0	4.00000	.0044	.0177
515-306412-10	SELF-TAPPING SCREW 3 X 12 W/B/T (HARDEN) 1 FOR AC LINE CORD MTG.	PC	0	1.00000	.0073	.0073
622-881302-00	FELT ONE SIDE W/TAPE	0	0	7.00000	.0250	.1750
622-882001-00	FELT PAPER ONE SIDE W/TAPE 10 X 2 X 0.3MM BACK CAB.	0	0	4.00000	.0029	.0115
630-173016-00	FIBRE WASHER OD=17 ID=3 T=1.6 AC LINE CORD MTG	0	0	1.00000	.0106	.0106
728-882001-00	CRT MTG. BRACKET W/NUT CRT MTG.	0	0	4.00000	.1731	.6923
737-143010-00	METAL WASHER OD=14 ID=3 T=1 FOR SPK. MTG	0	0	8.00000	.0046	.0369
744-881301-00	SPRING FOR C.R.T. MOUNTING 5.2 X 42 X 0.6MM	0	0	1.00000	.0481	.0481
777-892002-00	SPRING FOR POWER KNOB	0	0	1.00000	.0115	.0115
834-230801-00	RUBBER WASHER OD=23 , ID=8 , T=1.0 FOR CRT MTG	0	0	4.00000	.0192	.0769
834-230805-00	RUBBER WASHER OD=23 ID=8 T=0.5 CRT MTG (LOWER)	0	0	2.00000	.0115	.0231
902-882001-02	BACK CABINET - MATT BLACK SPRAY	0	0	1.00000	4.6179	4.6179
920-882002-01	MTG. BRACKET	0	0	1.00000	.5237	.5237
948-882001-01	DEGAUSSING COIL MTG. CLIP	0	0	4.00000	.0212	.0846
948-882003-00	DOOR LOCKER	0	0	1.00000	.1923	.1923
954-882001-01	SPEAKER BOX HOLDER FOR FRONT CAB.	0	0	2.00000	.0175	.0350
954-892001-00	HIGH VOLTAGE SPACER FOR CRT	0	0	1.00000	.0552	.0552
977-882001-01	PUSH BUTTON - BLACK MOULDED	0	0	1.00000	.0610	.0610

** THIS SPARE LIST IS MADE FOR TECHNICAL / MAINTENANCE REFERENCE ONLY **

Print Date : 25/11/94

PRODUCT CODE : 882074-400003-GT

Page Number : 18

DESCRIPTION : 8820/CT-M486MKII TEAC PAL/BG W/AV IN MATT BLACK 240V SAA

Component Part	Description / Location	Unit	Subs	Quantity Required	Unit Price	Amount
980-882013-01	JACK PLATE W/AV/BRASS INSERT (521-882001-00 2 PCS./SET)		0	1.00000	.2382	.2382

ASSB PRICE : 10.4924

** THIS SPARE LIST IS MADE FOR TECHNICAL / MAINTENANCE REFERENCE ONLY **

Print Date : 26/11/94

PRODUCT CODE : 882074-400003-GT

Page Number : 19

DESCRIPTION : 8820/CT-M486MKII TEAC PAL/BG W/AV IN MATT BLACK 240V SAA

Component Part	Description / Location	Unit	Subs	Quantity Required	Unit Price	Amount
*** ASSEMBLY : 159-882074-40-04 NON-COMMON PART FOR CASING ASS'Y (M.BLK)						
002-120001-46	CRT 20" A48KRD82X09 SAMSUNG (SOUTH HEMISPHERE CRT)	PC	0	1.00000	101.6619	101.6619
186-227503-14	BATTERY 3A	PC	0	2.00000	.0635	.1269
669-882001-6B	RATING LABEL - TEAC DESIGN (CT-M486MKII) 240V	0	0	1.00000	.0481	.0481
884-882002-01	PRESET PLATE - BLACK W/L.GREY SS. ENG STD (13 KEY HOLES)	0	0	1.00000	.1558	.1558
884-882010-01	JACK COVER - W/ WHITE SS W/AV IN HOLE FOR JACK PLATE	0	0	1.00000	.1577	.1577
900-882002-01	FRONT CABINET - MATT BLACK SPY	0	0	1.00000	4.7083	4.7083
905-882001-01	SPEAKER BOX - BLACK MOULDED W/ BLACK SPRAY	0	0	2.00000	.6867	1.3735
917-882001-07	REMOTE LENS - TEAC DESIGN	0	0	1.00000	.2367	.2367
919-882003-01	PRESET DOOR - TEAC DESIGN (CT-M486MKII)	0	0	1.00000	.2038	.2038
991-882002-01	POWER KNOB - BLACK MOULDED	0	0	1.00000	.0217	.0217

ASSB PRICE : 108.6944

** THIS SPARE LIST IS MADE FOR TECHNICAL / MAINTENANCE REFERENCE ONLY **

Print Date : 26/11/94

PRODUCT CODE : 882074-400003-GT

Page Number : 20

DESCRIPTION : 8820/GT-M486MKII TEAC PAL/BG W/AV IN MATT BLACK 240V SAA

Component Part	Description / Location	Unit	Subs	Quantity Required	Unit Price	Amount
*** ASSEMBLY : 163-882074-40-04 NON-COMMON PART FOR PACKING ASS'Y (8G)						
610-882004-06	GIFT BOX - TEAC (A) DESIGN {MDL NO.CT-M486MK II}		0	1.00000	2.9423	2.9423
663-230571-94	SERIAL NO.LABEL - OC:GT-571/94 1 PC STUCK ON CTN, 1 PC STUCK ON RATING LABEL		0	2.00000	.0071	.0142
670-882000-96	INSTRUCTION MANUAL - TEAC (A) DESIGN {MDL NO.CT-M486MK II}		0	1.00000	.1442	.1442
676-881301-04	SYSTEM LABEL - PAL BG		0	1.00000	.0062	.0062
678-882000-24	SCREEN STICKER - TEAC DESIGN (CT-M486MKII)		0	1.00000	.1500	.1500
682-230571-94	DATE CODE LABEL - OC:GT-571/94		0	1.00000	.0027	.0027
690-882039-01	WARRANTY CARD - TEAC DESIGN		0	1.00000	.1442	.1442
693-882002-10	EAN CODE LABEL - 9313060004842		0	1.00000	.0077	.0077
800-882005-00	POLYFOAM - TOP LEFT	PC	0	1.00000	.3327	.3327
800-882006-00	POLYFOAM - TOP RIGHT	PC	0	1.00000	.3327	.3327
800-882007-00	POLYFOAM - BOTTOM LEFT	PC	0	1.00000	.3327	.3327
800-882008-00	POLYFOAM - BOTTOM RIGHT	PC	0	1.00000	.3327	.3327
810-041004-13	POLYBAG 4" X 10" X 0.04MM W/RE-CYCLING MARK FOR HANDSET		0	1.00000	.0062	.0062
810-051104-13	POLYBAG 5" X 11" X 0.04 MM W/ RE-CYCLING MARK FOR AC LINE CORD		0	1.00000	.0079	.0079
810-091504-13	POLYBAG 9" X 15" X 0.04MM W/ RE-CYCLING MARK FOR INSTRUCTION MANUAL		0	1.00000	.0163	.0163
810-373704-14	POLYBAG 37"X37"X0.04MM W/PUNCHHOLE & RE-CYCLING MARK P/O MAT FOR UNIT		0	1.00000	.1610	.1610
826-363605-00	FOAM SHEET - 36" X 36" X 0.5MM FOR UNIT		0	2.00000	.1769	.3538

ASSS PRICE : 5.2875

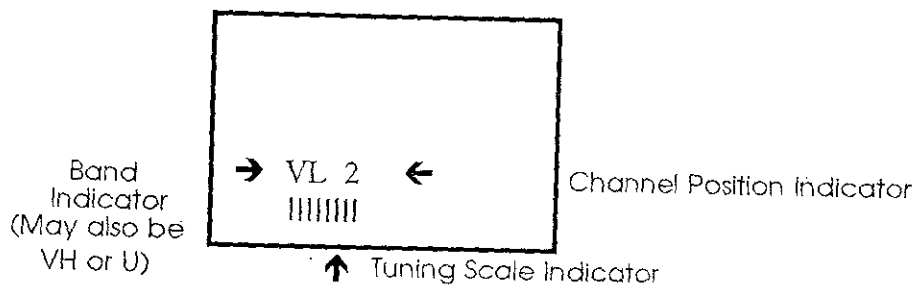
TOTALA PRICE : 192.8332

TEAC®

Operational Guide to Tuning-In

CT-M486MKII

1. Connect aerial (not supplied) to television set. For best results we recommend the use of an external antenna.
2. Turn on the set and open the front panel. Please note the remote control is not required during tuning-in.
3. Press the **PRESET** button once and a display will appear on the screen.
4. Press the **PROGRAM / CHANNEL** buttons (+ or -) to select the channel position that you wish to store the broadcast. e.g. To store ABC in channel position 2, press + or - until "2" appears on display (see diagram below).



5. Press **BAND** to choose correct frequency band to find channel broadcast (as summarised below).

Station	Channel	Frequency Band
ABC	2	For best results use VL band.
HSV-7	7	For best results use VH band.
GTV-9	9	For best results use VH band.
ATV-10	10	For best results use VH band.
SBS	28	For best results use U band.

Please note: All channels may be found on UHF band, however, picture quality may be determined by your geographical location or type of antenna used.

6. Press **FINE TUNE** + or - to find the broadcast.
7. When correct channel broadcast is found, repeat steps 4, 5 & 6 until all remaining channels have been located and tuned into selected channel positions.
8. Press **PRESET** once, then the TV will return to normal operation.
9. Stations should now be memorised into channel positions.

HEAD OFFICE
TEAC AUSTRALIA PTY. LTD.
A.C.N. 005 408 462
105 BAY STREET
PORT MELBOURNE, VIC 3207
TELEPHONE: (03) 646 1733
FAX: (03) 646 4776

N.S.W. OFFICE
UNIT 4
175-179 JAMES RUSE DRIVE
ROSEHILL NSW 2142
TELEPHONE: (02) 684 2566
FAX: (02) 638 4037

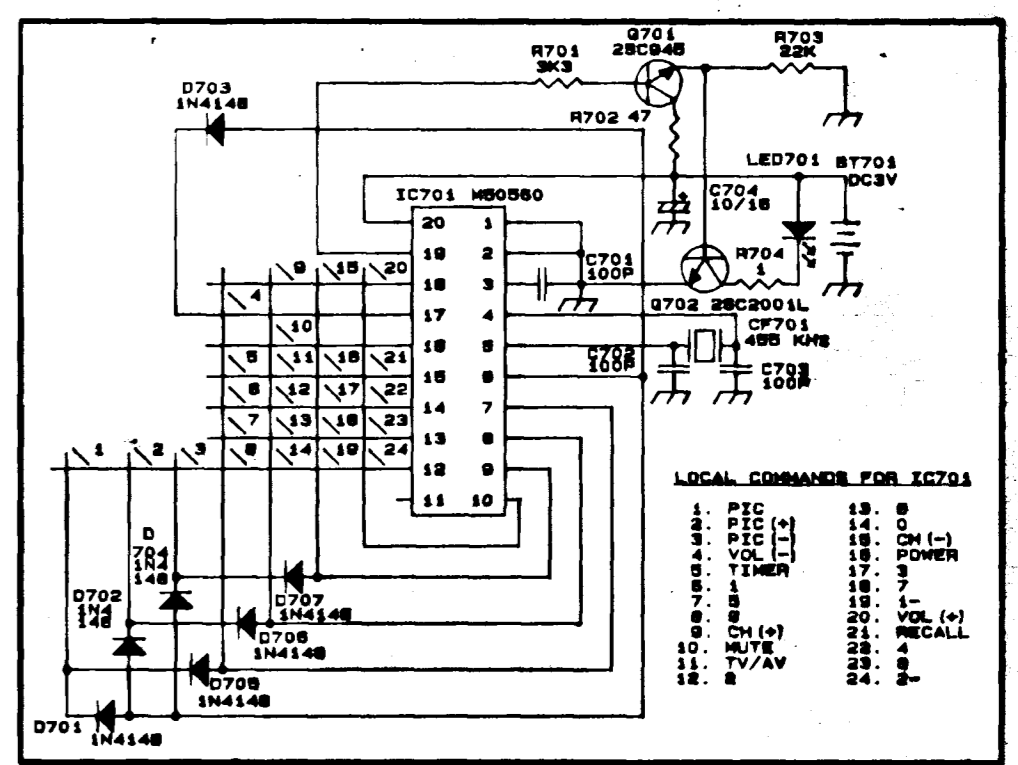
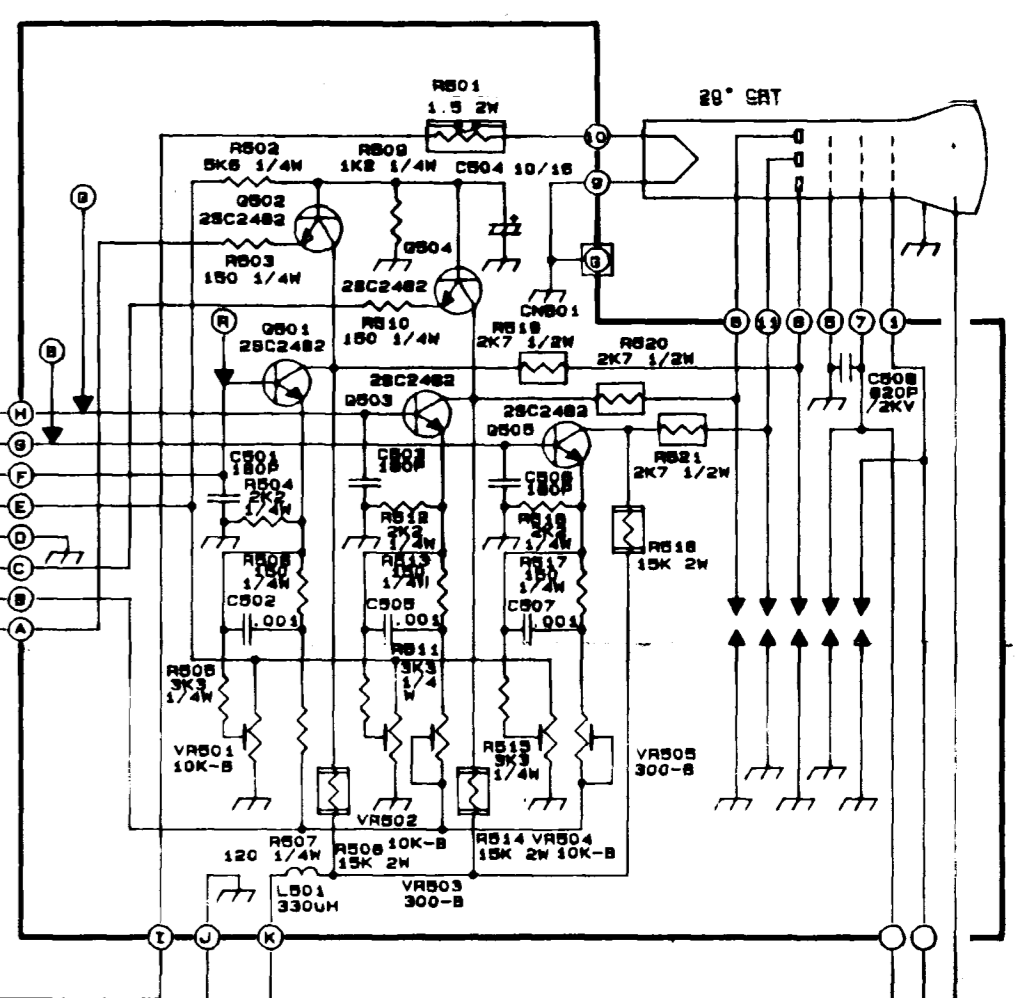
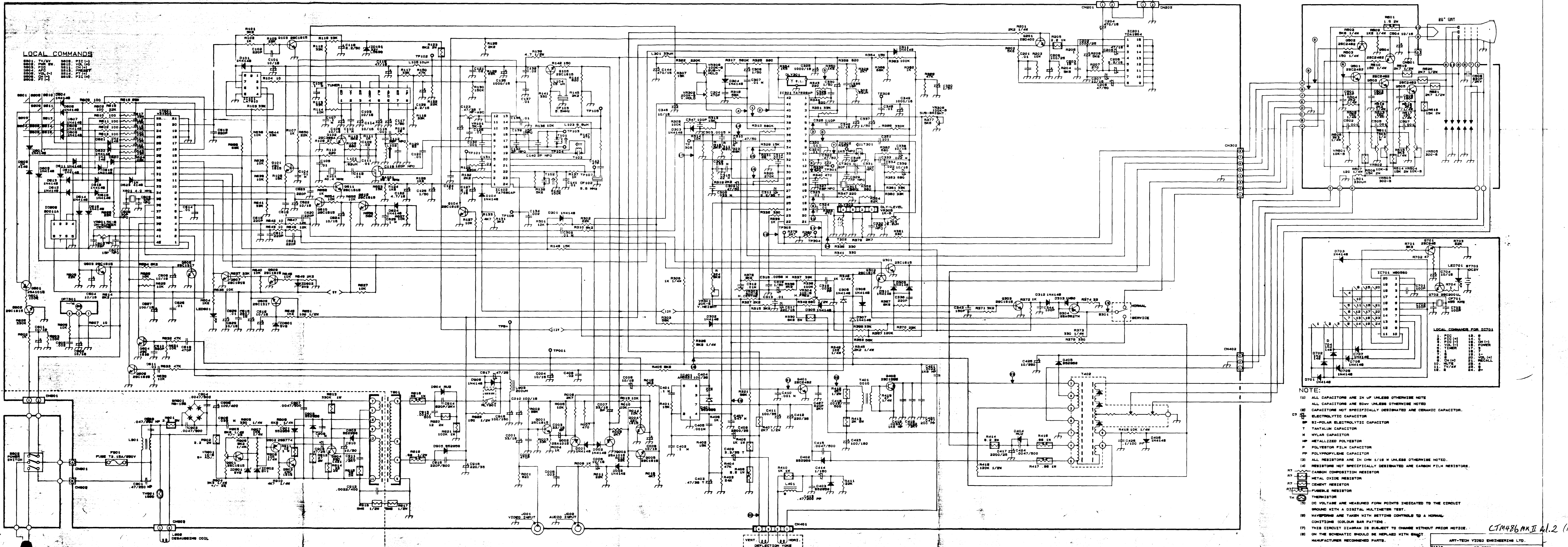
QUEENSLAND OFFICE
335 MONTAGUE ROAD
WEST END QLD. 4101
TELEPHONE: (07) 844 8866
FAX: (07) 844 7545

WESTERN AUSTRALIA OFFICE
UNIT 4
101 BELMONT AVENUE
BELMONT WA 6104
TELEPHONE: (09) 479 1171
FAX: (09) 478 2007

SOUTH AUSTRALIA OFFICE
CNR. BURBRIDGE &
MARION ROADS
COWANDILLA SA 5033
TELEPHONE: (08) 234 104.
FAX: (08) 234 2536

LOCAL COMMANDS

001	TV/AV	010	VOL (-)
002	PAUSE	011	VOL (+)
003	STOP	012	POWER
004	APC	013	SEARCH
005	Y/C	014	RECALL
006	CH (-)	015	TV/AV
007	CH (+)	016	CALL



- NOTE:
- (1) ALL CAPACITORS ARE IN μ F UNLESS OTHERWISE NOTED
 - (2) ALL CAPACITORS ARE 50V UNLESS OTHERWISE NOTED
 - (3) CAPACITORS NOT SPECIFICALLY DESIGNATED ARE CERAMIC CAPACITORS
 - (4) ELECTROLYTIC CAPACITOR
 - (5) BI-POLAR ELECTROLYTIC CAPACITOR
 - (6) TANTALUM CAPACITOR
 - (7) MYLAR CAPACITOR
 - (8) METALLIZED POLYESTER
 - (9) POLYESTER FILM CAPACITOR
 - (10) POLYPROPYLENE CAPACITOR
 - (11) ALL RESISTORS ARE IN Ω UNLESS OTHERWISE NOTED
 - (12) RESISTORS NOT SPECIFICALLY DESIGNATED ARE CARBON FILM RESISTORS
 - (13) CARBON COMPOSITION RESISTOR
 - (14) METAL OXIDE RESISTOR
 - (15) CEMENT RESISTOR
 - (16) FUSIBLE RESISTOR
 - (17) THERMISTOR
 - (18) DC VOLTAGE ARE MEASURED FROM POINTS INDICATED TO THE CIRCUIT GROUND WITH A DIGITAL MULTIMETER TEST.
 - (19) WAVEFORMS ARE TAKEN WITH SETTING CONTROLS TO A NORMAL CONDITIONS (COLOUR BAR PATTERN).
 - (20) THIS CIRCUIT DIAGRAM IS SUBJECT TO CHANGE WITHOUT PRIOR NOTICE.
 - (21) ON THE SCHEMATIC SHOULD BE REPLACED WITH BEST MANUFACTURER RECOMMENDED PARTS.

CTM486 MK II v.2 (1997)